

At sub-zero temperatures, special demands are made on pipe support systems



CFC FREE



SUPER THERM pipe supports meet them all

SUPER THERM Pipe Supports

A pipe support system of truly revolutionary proportions

Supertherm Pipe Supports are made from specially-formulated chemical systems that result in high density rigid urethane foam.

The very nature of the material immediately yields several advantages:

Property

Wide density range possible

Pre-engineered at our factory

Material has a closed cell structure

Excellent 'K' value.

Good fire resistance.

Close dimensional tolerances.

Supplied in assembled condition, complete with all metal attachments.

Special sizes, shapes and finishes on request.

Advantages

Higher densities enable higher loads without increase in surface area.

For light loads, lower densities can be used, resulting in significant savings in costs.

No sawing and shaping at site. The support precisely matches your pipe's OD.

Installation time dramatically reduced.

Does not permit water penetration.

No wet rot.

No dry rot.

Provides vastly superior insulation as compared to timber and other materials.

No condensation at support point. So no drips, puddles or energy wasted.

Improved safety at site.

Improved durability.

Pipe support thickness precisely matches insulation thickness, resulting in neat finish at support location.

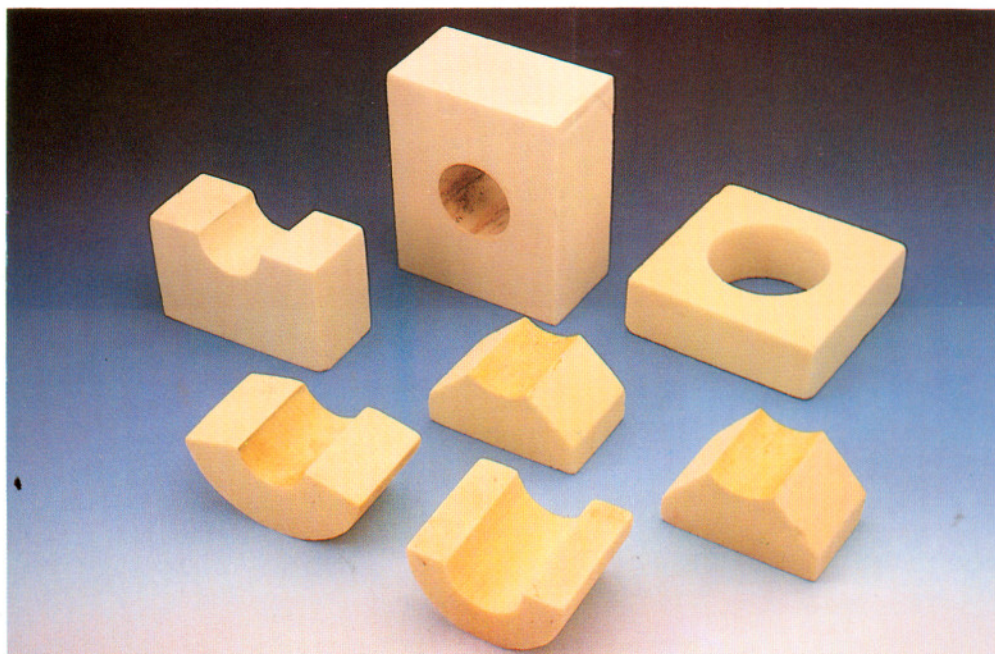
Improved speed of installation.

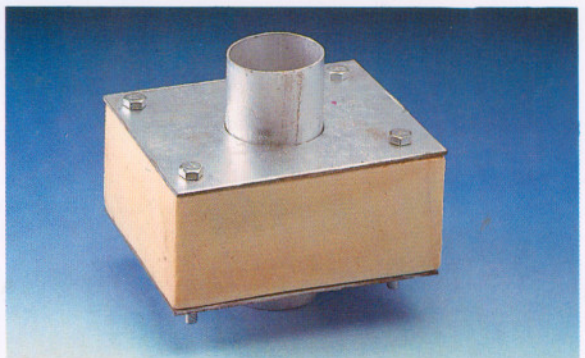
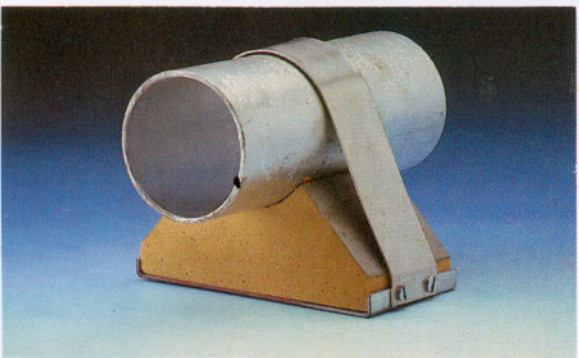
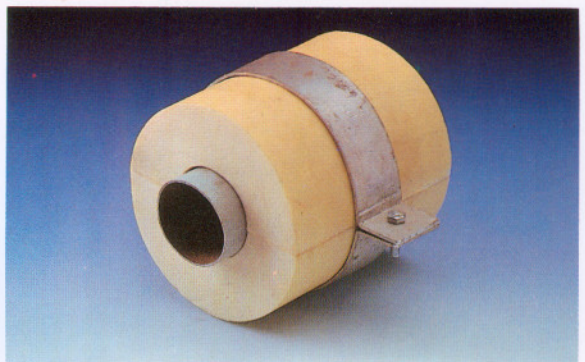
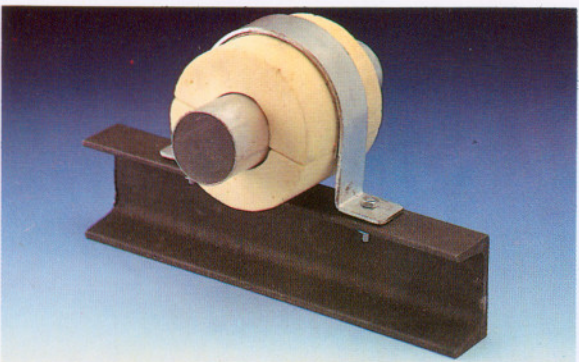
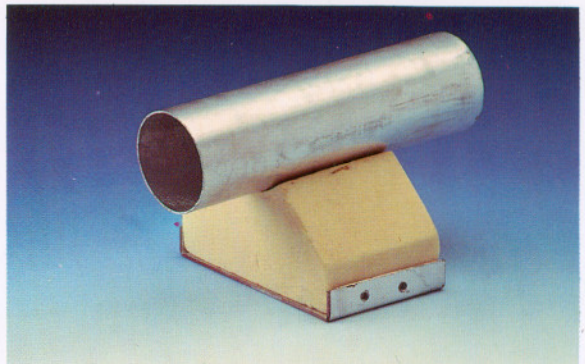
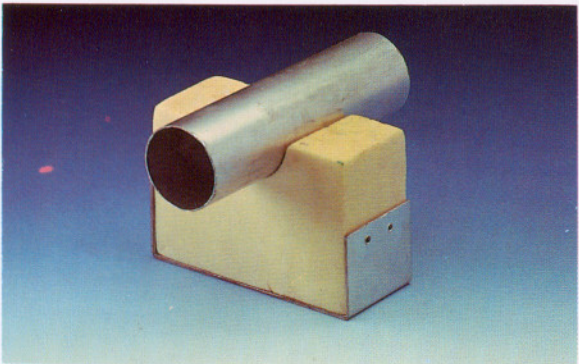
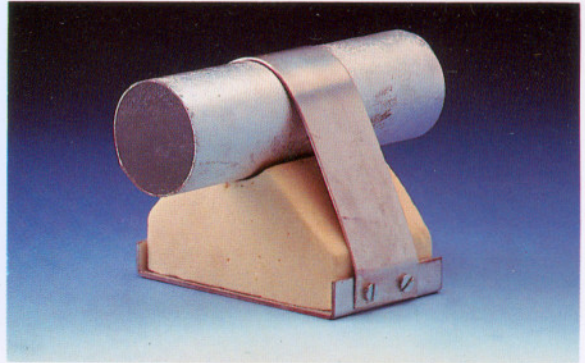
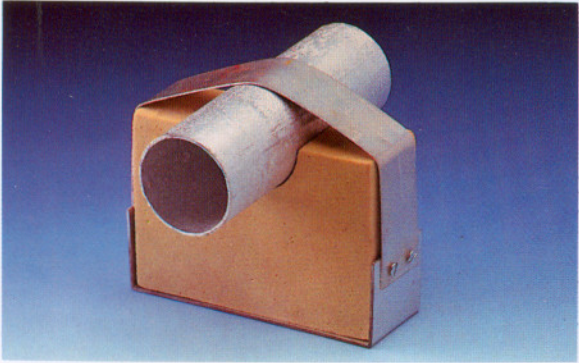
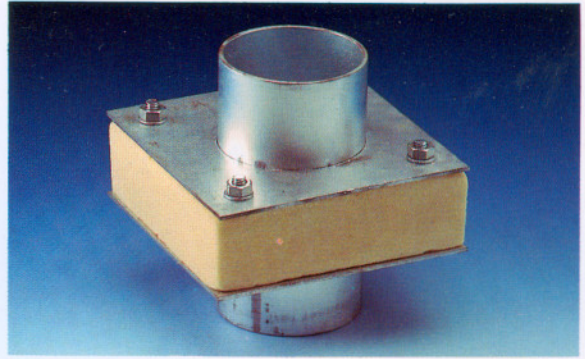
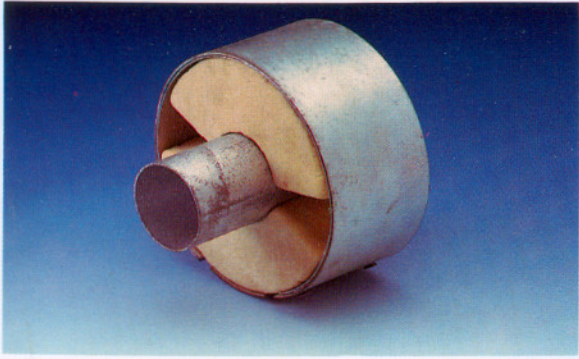
Joint-free in the load bearing area, even for larger diameters of pipe.

Non-standard sizes and shapes can be manufactured to suit your specification.

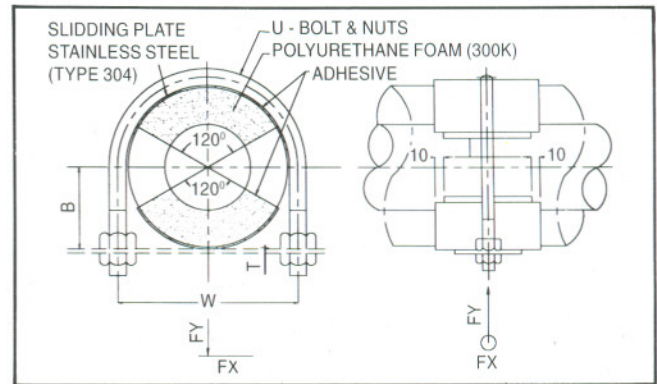
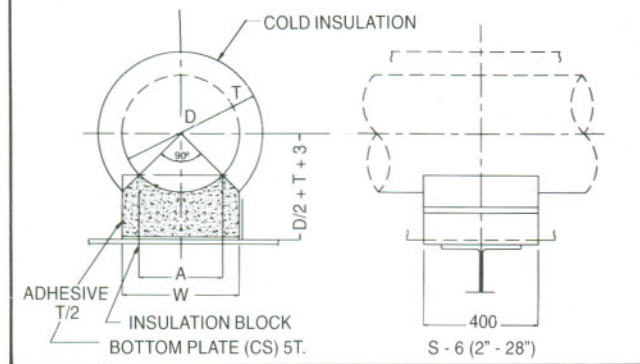
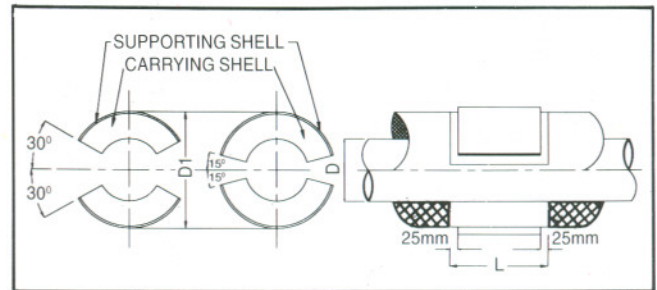
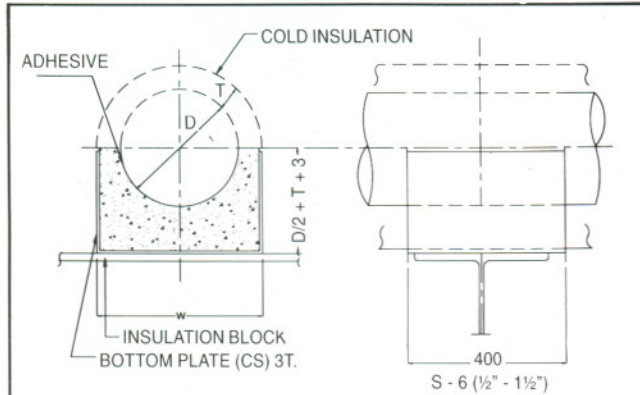
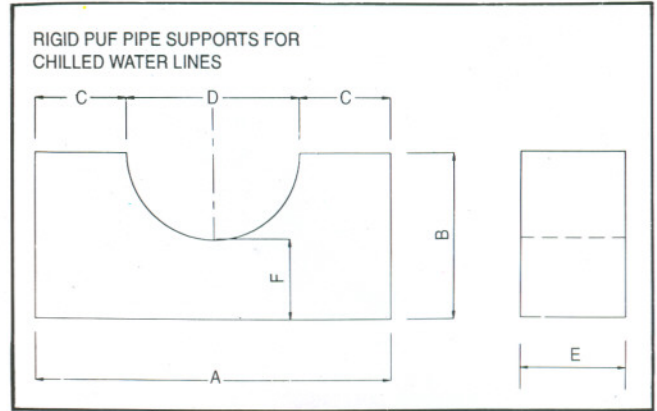
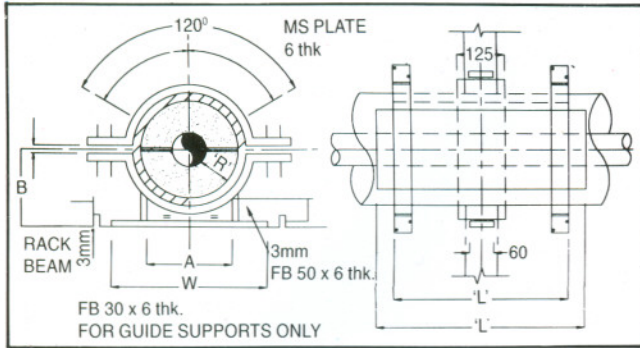
Supports can be supplied with a factory-applied coat of fire-resistive mastic, which also serves as a vapour barrier, on the exposed surface.

These features make Supertherm the pipe support system of choice for every low-temperature pipe installation - whether it's a new pipe rack, or a revamp of an existing one.





TYPICAL DESIGNS



PHYSICAL PROPERTIES FOR DIFFERENT DENSITIES

Density (kg/m ³)	% Closed Cells	Water Vapour Transmission (gms/m ² /24hrs)	Compression strength (kPa)	Tensile strength (kPa)
80	93	50	900	1200
120	94	45	1500	1600
180	94	30	2900	2500
250	96	25	4900	3100
320	96	15	8200	5000

The system is 'CFC FREE' and has been designed within the guide lines of the Montreal Protocol, 1987, for the protection of the Ozone layer.

COMPARISON WITH WOOD

	Density kg/m ³	'k' Value at 10°C	Max. Temp. °C	Min Temp °C	Fire Rating
Wood					
Oak	740	0.159	65	0	Poor
Mahogany	560	0.144	65	0	Poor
Supertherm	80	0.023	110	-185	Class P BS:476/5
	120	0.031	110	-185	
	160	0.033	110	-185	



LLOYD INSULATIONS (INDIA) LTD.

Delhi : Punj Star Premises, Kalkaji Industrial area, New Delhi - 110 019.
 Phone: +91-11-30882900 to 06 • Fax: +91-11-30882894/95 • Email: lloyd@del2.vsnl.net.in

Mumbai: 386, Veer Savarkar Marg, Prabhadevi, Mumbai - 400 025.
 Phone: +91-22-30480000/0110 • Fax: +91-22-24376858 /3557 • Email: lloydinsul@vsnl.com

Kolkata : 6, Middleton Street, Kolkata - 700 071.
 Phone: +91-33-30585202 • Fax: +91-33-22872629 • Email: lloyd@cal2.vsnl.net.in

Chennai: 5, Haddows Lane, Nungambakkam, Chennai - 600 006.
 Phone: +91-44-28303753 • Fax: +91-44-28279728 • Email: liichennai@eth.net

Website: www.lloydindia.com / www.lloydinsulation.com



THINK ENERGY CONSERVATION
 THINK ENVIRONMENT PROTECTION
 THINK LLOYD INSULATIONS